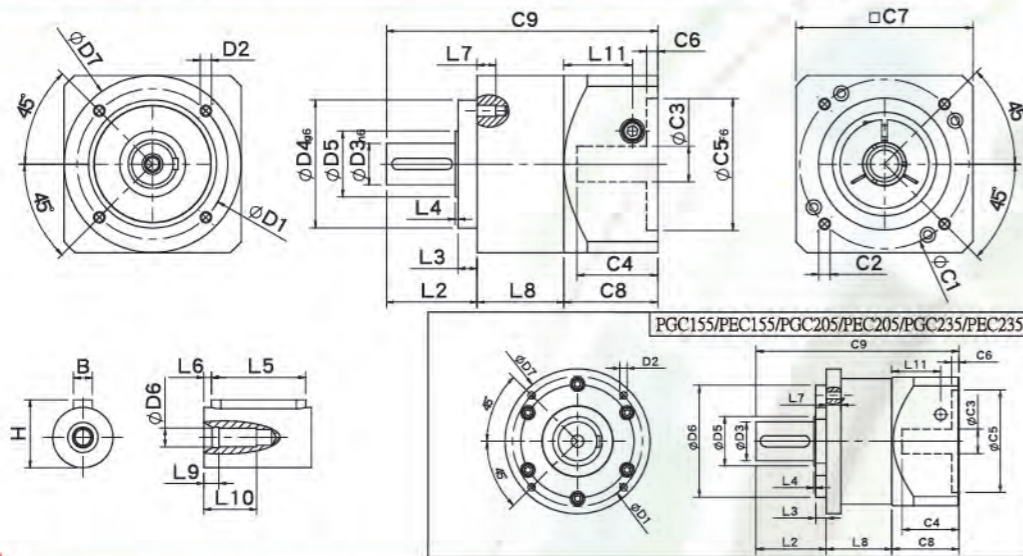


### PEC單段外型尺寸圖 PEC Single Stage Dimensions

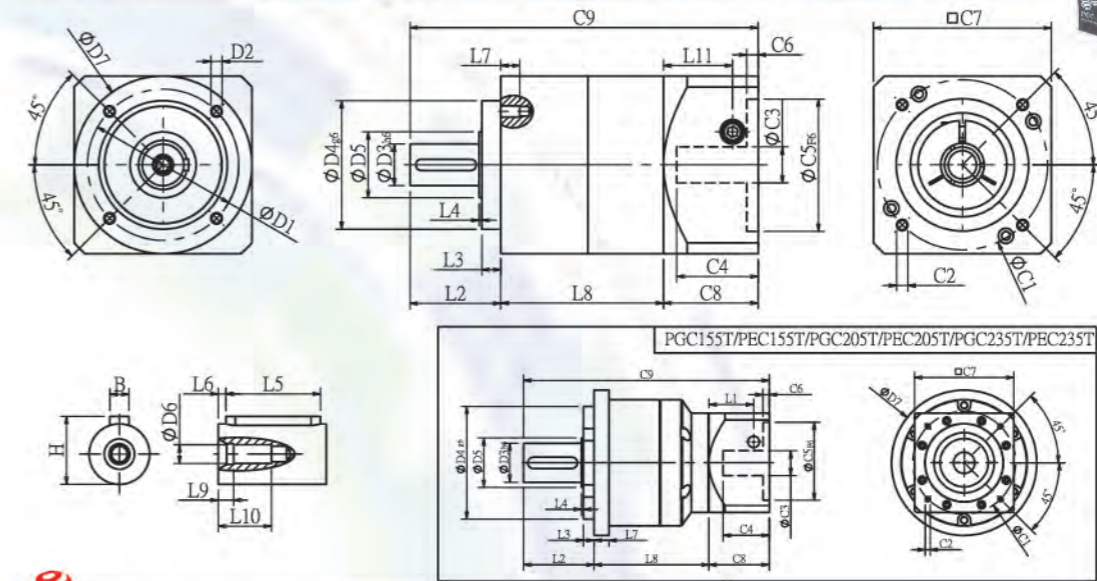


### 規格(Specifications): Unit:mm

尺寸 Dimensions	PEC50	PEC70	PEC90	PEC120	PEC155	PEC205	PEC235
D1	44	62	80	108	140	184	210
D2	M4x0.7P	M5x0.8P	M6x1P	M8x1.25P	M8x1.5P	M12x1.75P	M16x2P
D3 <sub>h6</sub>	13	16	22	32	40	55	75
D4 <sub>g6</sub>	35	52	68	90	120	160	180
D5	15	25	35	45	50	70	90
D6	M4x0.7P	M5x0.8P	M8x1.25P	M12x1.75P	M16x2P	M20x2.5P	M20x2.5P
D7	50	70	94	120	155	205	235
L2	24.5	35	48	60	93	99.5	126
L3	4	5	10	6	8	15	18
L4	1.5	1.5	1.5	3	6	2.5	3
L5	15	25	32	40	60	70	90
L6	2	2	3	5	5	6	7
L7	8	10	10	15	18	21	32
L8	30	38	46	61	79	92.5	129.5
L9	4	4	4.5	6	6	8	7
L10	14	16.5	20.5	30	38	48	42
L11	24.4	31.5	36.5	42	63	69.5	102.2
C1 <sup>2</sup>	46	70	90	115	145	200	235
C2 <sup>2</sup>	M4x0.7P	M5x0.8P	M6x1P	M8x1.25P	M8x1.25P	M12x1.75P	M12x1.75P
C3 <sup>2</sup>	≤8	≤14	≤19/≤24	≤24/≤28	≤35	≤50	≤55
C4 <sup>2</sup>	27	35	43	58	66	82	98
C5 <sup>2</sup> F6	30	50	70	95	110	114.3	200
C6 <sup>2</sup>	4	5	5	8	6	13	12
C7 <sup>2</sup>	50	70	94	120	140	182	220
C8 <sup>2</sup>	34	44	50	63	80	95	130
C9 <sup>2</sup>	88.5	117	144	184	252	287	385.5
B	5	5	6	10	12	16	20
H	15	18	24.5	35	43	59	79.5

★ C1~C9是公製標準馬達連接板尺寸,請依所選用的馬達決定。  
★ C1~C9 are motor specific dimensions(metric std shown), Size may vary according to the motor flange chosen.  
★ 本公司有權針對以上數據規格進行設計變更不先行告知。  
★ Specification subject to change without notice.

### PEC雙段外型尺寸圖 PEC Double Stage Dimensions



### 規格(Specifications): Unit:mm

尺寸 Dimensions	PEC50	PEC70	PEC90	PEC120	PEC155	PEC155T	PEC205	PEC205T	PEC235	PEC235T
D1	44	62	80	108	140	140	184	184	210	210
D2	M4x0.7P	M5x0.8P	M6x1P	M8x1.25P	M8x1.5P	M8x1.5P	M12x1.75P	M12x1.75P	M16x2P	M16x2P
D3 <sub>h6</sub>	13	16	22	32	40	40	55	55	75	75
D4 <sub>g6</sub>	35	52	68	90	120	120	160	160	180	180
D5	15	25	35	45	50	50	70	70	90	90
D6	M4x0.7P	M5x0.8P	M8x1.25P	M12x1.75P	M16x2P	M16x2P	M20x2.5P	M20x2.5P	M20x2.5P	M20x2.5P
D7	50	70	94	120	155	155	205	205	235	235
L2	24.5	35	48	60	93	93	99.5	99.5	126	126
L3	4	5	10	6	8	8	15	15	18	18
L4	1.5	1.5	1.5	3	6	6	2.5	2.5	3	3
L5	15	25	32	40	60	60	70	70	90	90
L6	2	2	3	5	5	5	6	6	7	7
L7	8	10	10	15	18	18	21	21	32	32
L8	56	66	86	109	140	127	182.5	162	244	211.5
L9	4	4	4.5	6	6	6	8	8	7	7
L10	14	16.5	20.5	30	38	38	48	48	42	42
L11	24.4	31.5	36.5	42	63	42	69.5	63	102.2	69.5
C1 <sup>2</sup>	46	70	90	115	145	115	200	145	235	200
C2 <sup>2</sup>	M4x0.7P	M5x0.8P	M6x1P	M8x1.25P	M8x1.25P	M8x1.25P	M12x1.75P	M8x1.25P	M12x1.75P	M12x1.75P
C3 <sup>2</sup>	≤8	≤14	≤19/≤24	≤24/≤28	≤35	≤24/≤28	≤50	≤35	≤55	≤50
C4 <sup>2</sup>	27	35	43	58	66	58	82	66	98	82
C5 <sup>2</sup> F6	30	50	70	95	110	95	114.3	110	200	114.3
C6 <sup>2</sup>	4	5	5	8	6	8	13	6	12	13
C7 <sup>2</sup>	50	70	94	120	140	120	182	140	220	182
C8 <sup>2</sup>	34	44	50	63	80	63	95	80	130	95
C9 <sup>2</sup>	114.5	145	184	232	313	283	377	341.5	500	432.5
B	5	5	6	10	12	16	16	16	20	20
H	15	18	24.5	35	43	59	59	59	79.5	79.5

★ C1~C9是公製標準馬達連接板尺寸,請依所選用的馬達決定。  
★ C1~C9 are motor specific dimensions(metric std shown), Size may vary according to the motor flange chosen.  
★ 本公司有權針對以上數據規格進行設計變更不先行告知。  
★ Specification subject to change without notice.