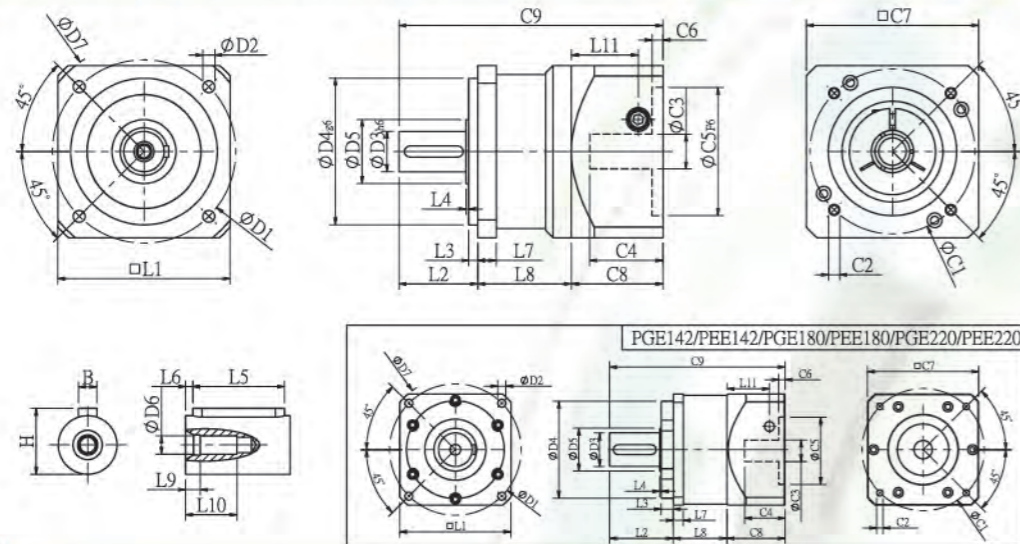


PEE單段外型尺寸圖 PEE Single Stage Dimensions

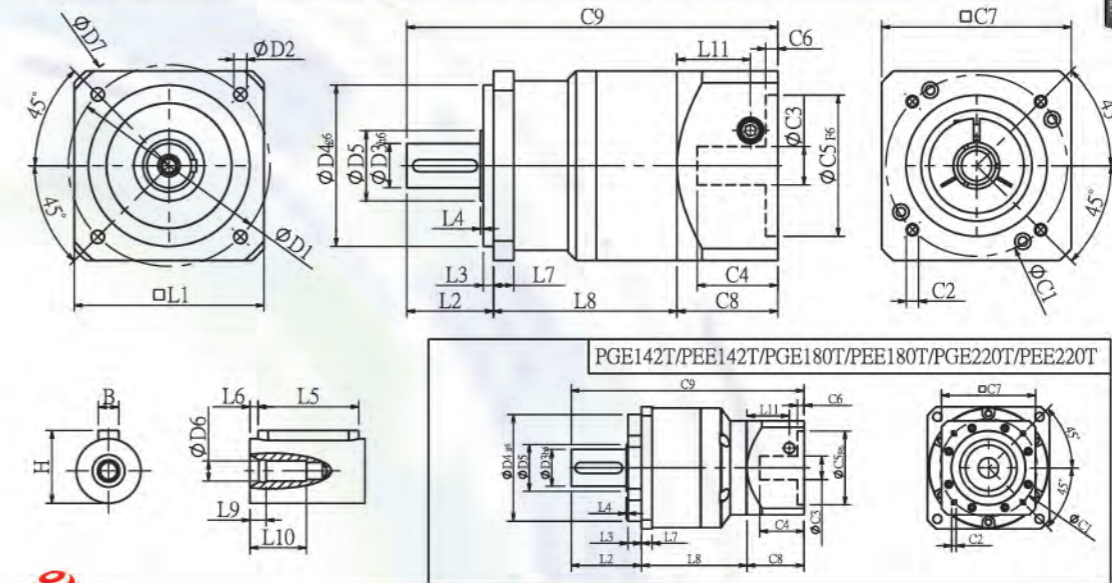


規格(Specifications): Unit:mm

| 尺寸 Dimensions | PEE50 | PEE70 | PEE90 | PEE120 | PEE142 | PEE180 | PEE220 |
|--------------------|---------|---------|----------|-----------|----------|-----------|-----------|
| D1 | 50 | 70 | 100 | 130 | 165 | 215 | 250 |
| D2 | 3.4 | 6 | 6.5 | 8.5 | 10.5 | 13 | 17 |
| D3 _{h6} | 13 | 16 | 22 | 32 | 40 | 55 | 75 |
| D4 _{g6} | 35 | 50 | 80 | 110 | 130 | 160 | 180 |
| D5 | 15 | 25 | 35 | 45 | 50 | 70 | 90 |
| D6 | M4x0.7P | M5x0.8P | M8x1.25P | M12x1.75P | M16x2P | M20x2.5P | M20x2.5P |
| D7 | 64 | 90 | 120 | 152 | 186 | 239 | 292 |
| L1 | 50 | 70 | 94 | 120 | 142 | 182 | 220 |
| L2 | 24.5 | 37 | 43 | 60 | 93 | 104.5 | 138 |
| L3 | 4 | 7 | 5 | 6 | 8 | 20 | 30 |
| L4 | 1.5 | 1.5 | 1.5 | 3 | 6 | 2.5 | 3 |
| L5 | 15 | 25 | 32 | 40 | 60 | 70 | 90 |
| L6 | 2 | 2 | 3 | 5 | 5 | 6 | 7 |
| L7 | 5 | 6 | 10 | 12 | 18 | 16 | 20 |
| L8 | 30 | 36 | 51 | 61 | 79 | 87.5 | 117.5 |
| L9 | 4 | 4 | 4.5 | 6 | 6 | 8 | 7 |
| L10 | 14 | 16.5 | 20.5 | 30 | 38 | 48 | 42 |
| L11 | 24.4 | 31.5 | 36.5 | 42 | 63 | 69.5 | 102.2 |
| C1 ² | 46 | 70 | 90 | 115 | 145 | 200 | 235 |
| C2 ² | M4x0.7P | M5x0.8P | M6x1P | M8x1.25P | M8x1.25P | M12x1.75P | M12x1.75P |
| C3 ² | ≤8 | ≤14 | ≤19/≤24 | ≤24/≤28 | ≤35 | ≤50 | ≤55 |
| C4 ² | 27 | 35 | 43 | 58 | 66 | 82 | 98 |
| C5 ² F6 | 30 | 50 | 70 | 95 | 110 | 114.3 | 200 |
| C6 ² | 4 | 5 | 5 | 8 | 6 | 13 | 12 |
| C7 ² | 50 | 70 | 94 | 120 | 140 | 182 | 220 |
| C8 ² | 34 | 44 | 50 | 63 | 80 | 95 | 130 |
| C9 ² | 88.5 | 117 | 144 | 184 | 252 | 287 | 385.5 |
| B | 5 | 5 | 6 | 10 | 12 | 16 | 20 |
| H | 15 | 18 | 24.5 | 35 | 43 | 59 | 79.5 |

★ C1~C9是公製標準馬達連接板尺寸,請依所選用的馬達決定。
★ C1~C9 are motor specific dimensions(metric std shown), Size may vary according to the motor flange chosen.
★ 本公司有權針對以上數據規格進行設計變更不先行告知。
★ Specification subject to change without notice.

PEE雙段外型尺寸圖 PEE Double Stage Dimensions



規格(Specifications): Unit:mm

| 尺寸 Dimensions | PEE50 | PEE70 | PEE90 | PEE120 | PEE142 | PEE142T | PEE180 | PEE180T | PEE220 | PEE220T |
|--------------------|---------|---------|----------|-----------|----------|----------|-----------|----------|-----------|-----------|
| D1 | 50 | 70 | 100 | 130 | 165 | | 215 | | 250 | |
| D2 | 3.4 | 6 | 6.5 | 8.5 | 10.5 | | 13 | | 17 | |
| D3 _{h6} | 13 | 16 | 22 | 32 | 40 | | 55 | | 75 | |
| D4 _{g6} | 35 | 50 | 80 | 110 | 130 | | 160 | | 180 | |
| D5 | 15 | 25 | 35 | 45 | 50 | | 70 | | 90 | |
| D6 | M4x0.7P | M5x0.8P | M8x1.25P | M12x1.75P | M16x2P | | M20x2.5P | | M20x2.5P | |
| D7 | 64 | 90 | 120 | 152 | 186 | | 239 | | 292 | |
| L1 | 50 | 70 | 94 | 120 | 142 | | 182 | | 220 | |
| L2 | 24.5 | 37 | 43 | 60 | 93 | | 104.5 | | 138 | |
| L3 | 4 | 7 | 5 | 6 | 8 | | 20 | | 30 | |
| L4 | 1.5 | 1.5 | 1.5 | 3 | 6 | | 2.5 | | 3 | |
| L5 | 15 | 25 | 32 | 40 | 60 | | 70 | | 90 | |
| L6 | 2 | 2 | 3 | 5 | 5 | | 6 | | 7 | |
| L7 | 5 | 6 | 10 | 12 | 18 | | 16 | | 20 | |
| L8 | 56 | 64 | 91 | 109 | 140 | 127 | 177.5 | 157 | 232 | 199.5 |
| L9 | 4 | 4 | 4.5 | 6 | 6 | | 8 | | 7 | |
| L10 | 14 | 16.5 | 20.5 | 30 | 38 | | 48 | | 42 | |
| L11 | 24.4 | 31.5 | 36.5 | 42 | 63 | 42 | 69.5 | 63 | 102.2 | 69.5 |
| C1 ² | 46 | 70 | 90 | 115 | 145 | 115 | 200 | 145 | 235 | 200 |
| C2 ² | M4x0.7P | M5x0.8P | M6x1P | M8x1.25P | M8x1.25P | M8x1.25P | M12x1.75P | M8x1.25P | M12x1.75P | M12x1.75P |
| C3 ² | ≤8 | ≤14 | ≤19/≤24 | ≤24/≤28 | ≤35 | ≤24/≤28 | ≤50 | ≤35 | ≤55 | ≤50 |
| C4 ² | 27 | 35 | 43 | 58 | 66 | 58 | 82 | 66 | 98 | 82 |
| C5 ² F6 | 30 | 50 | 70 | 95 | 110 | 95 | 114.3 | 110 | 200 | 114.3 |
| C6 ² | 4 | 5 | 5 | 8 | 6 | 8 | 13 | 6 | 12 | 13 |
| C7 ² | 50 | 70 | 94 | 120 | 140 | 120 | 182 | 140 | 220 | 182 |
| C8 ² | 34 | 44 | 50 | 63 | 80 | 63 | 95 | 80 | 130 | 95 |
| C9 ² | 114.5 | 145 | 184 | 232 | 313 | 283 | 377 | 341.5 | 500 | 432.5 |
| B | 5 | 5 | 6 | 10 | 12 | | 16 | | 20 | |
| H | 15 | 18 | 24.5 | 35 | 43 | | 59 | | 79.5 | |

★ C1~C9是公製標準馬達連接板尺寸,請依所選用的馬達決定。
★ C1~C9 are motor specific dimensions(metric std shown), Size may vary according to the motor flange chosen.
★ 本公司有權針對以上數據規格進行設計變更不先行告知。
★ Specification subject to change without notice.