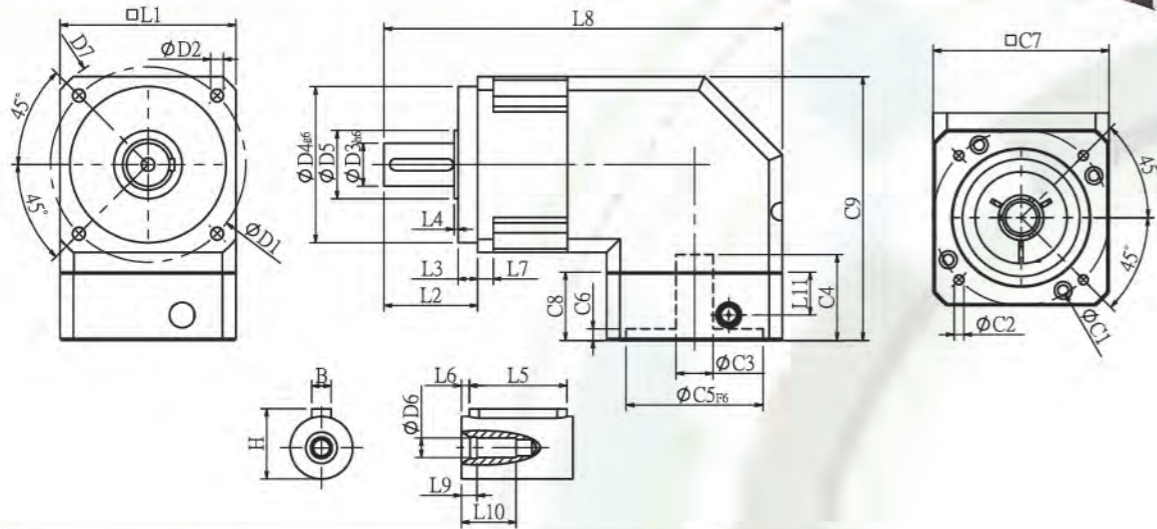
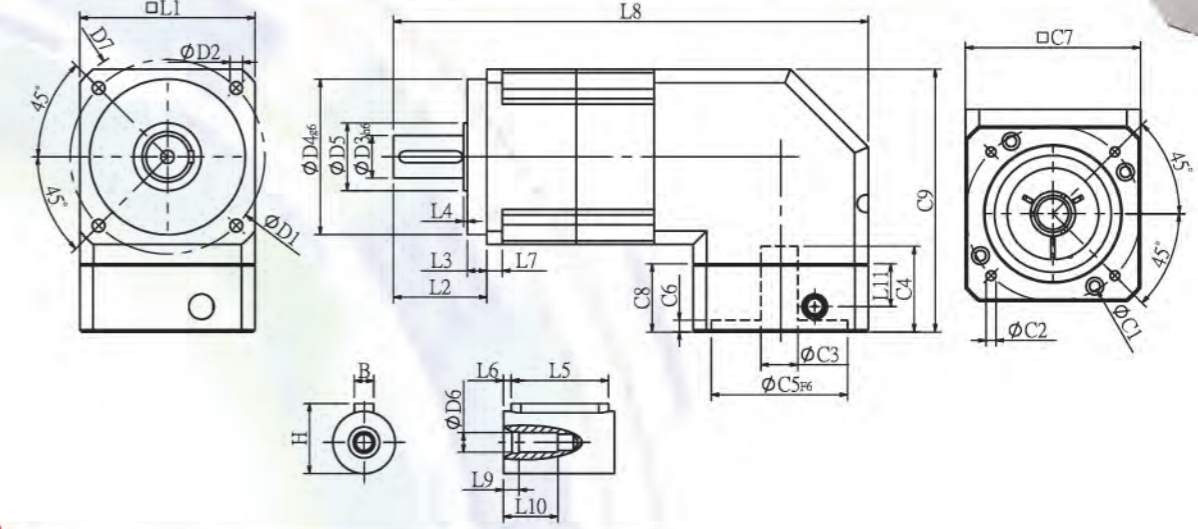


PGR單段外型尺寸圖 PGR Single Stage Dimensions



PGR雙段外型尺寸圖-1 PGR Double Stage Dimensions-1



規格(Specifications): Unit:mm

尺寸 Dimensions	PGR42	PGR60	PGR90	PGR115	PGR142	PGR180	PGR220
D1	50	70	100	130	165	-	-
D2	3.4	5.5	6.5	8.5	10.5	-	-
D3 <sub>h6</sub>	13	16	22	32	40	-	-
D4 <sub>g6</sub>	35	50	80	110	130	-	-
D5	15	25	35	45	50	-	-
D6	M4x0.7P	M5x0.8P	M8x1.25P	M12x1.75P	M16x2P	-	-
D7	56	80	118	148	186	-	-
L1	42.6	60	90	115	142	-	-
L2	26	37	48	62	93	-	-
L3	5.5	7	10	8	8	-	-
L4	1.5	1.5	1.5	3	6	-	-
L5	15	25	32	40	60	-	-
L6	2	2	3	5	5	-	-
L7	4	6	8	12	18	-	-
L8	103.6	148.7	204	244.5	330	-	-
L9	4	4	4.5	6	6	-	-
L10	14	16.5	20.5	30	38	-	-
L11	13.5	21.5	22	32	44.7	-	-
C1 <sup>2</sup>	46	70	90	115	145	-	-
C2 <sup>2</sup>	M4x0.7P	M5x0.8P	M6x1P	M8x1.25P	M8x1.25P	-	-
C3 <sup>2</sup>	≤8	≤14	≤19/≤24	≤24	≤35	-	-
C4 <sup>2</sup>	29	34	44	53	75	-	-
C5 <sup>2</sup> F6	30	50	70	95	110	-	-
C6 <sup>2</sup>	6	5	5	6	9	-	-
C7 <sup>2</sup>	42.6	60	90	115	140	-	-
C8 <sup>2</sup>	25	33	35	48	65	-	-
C9 <sup>2</sup>	70.8	107.8	135	174.5	207	-	-
B	5	5	6	10	12	-	-
H	15	18	24.5	35	43	-	-

★ C1~C9是公製標準馬達連接板尺寸,請依所選用的馬達決定。  
★ C1~C9 are motor specific dimensions(metric std shown), Size may vary according to the motor flange chosen.  
★ 本公司有權針對以上數據規格進行設計變更不先行告知。  
★ Specification subject to change without notice.

規格(Specifications): Unit:mm

尺寸 Dimensions	PGR42	PGR60	PGR90	PGR115	PGR142
D1	50	70	100	130	165
D2	3.4	5.5	6.5	8.5	10.5
D3 <sub>h6</sub>	13	16	22	32	40
D4 <sub>g6</sub>	35	50	80	110	130
D5	15	25	35	45	50
D6	M4x0.7P	M5x0.8P	M8x1.25P	M12x1.75P	M16x2P
D7	56	80	118	148	186
L1	42.6	60	90	115	142
L2	26	37	48	62	93
L3	5.5	7	10	8	8
L4	1.5	1.5	1.5	3	6
L5	15	25	32	40	60
L6	2	2	3	5	5
L7	4	6	8	12	18
L8	129.6	176.7	244	292.5	391
L9	4	4	4.5	6	6
L10	14	16.5	20.5	30	38
L11	13.5	21.5	22	32	44.7
C1 <sup>2</sup>	46	70	90	115	145
C2 <sup>2</sup>	M4x0.7P	M5x0.8P	M6x1P	M8x1.25P	M8x1.25P
C3 <sup>2</sup>	≤8	≤14	≤19/≤24	≤24	≤35
C4 <sup>2</sup>	29	34	44	53	75
C5 <sup>2</sup> F6	30	50	70	95	110
C6 <sup>2</sup>	6	5	5	6	9
C7 <sup>2</sup>	42.6	60	90	115	140
C8 <sup>2</sup>	25	33	35	48	65
C9 <sup>2</sup>	70.8	107.8	135	174.5	207
B	5	5	6	10	12
H	15	18	24.5	35	43

★ C1~C9是公製標準馬達連接板尺寸,請依所選用的馬達決定。  
★ C1~C9 are motor specific dimensions(metric std shown), Size may vary according to the motor flange chosen.  
★ 本公司有權針對以上數據規格進行設計變更不先行告知。  
★ Specification subject to change without notice.